

GHR Stainless Steel Hatch Pull

Features

- Ideal for use in places where projection from surface is not permitted, such as switch boards and inspection ports

Material

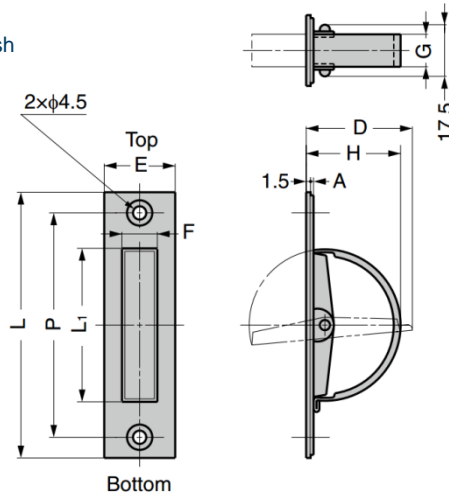
- Stainless steel 304, satin finish

Notes

- For vertical applications

Parts Included

- **GHR-90S:** Countersunk head wood screw 3.5×22 (SUS)
- **GHR-110S & GHR-135S:** Countersunk head wood screw 3.5×25 (SUS)



Part No.	L	L ₁	P	H	D	A	E	F	G	Load Capacity	
GHR-90S	90	52	76	32	36	1	24	12	11	127 N	13 kg
GHR-110S	110	64	94	38	42					98 N	10 kg
GHR-135S	135	90	115	50	55	1.2	25	12.2	12	74 N	7.5 kg

GHR-RS Stainless Steel Hatch Pull

Features

- Ideal for use in places where projection from surface is not permitted, such as switch boards and inspection ports

Material

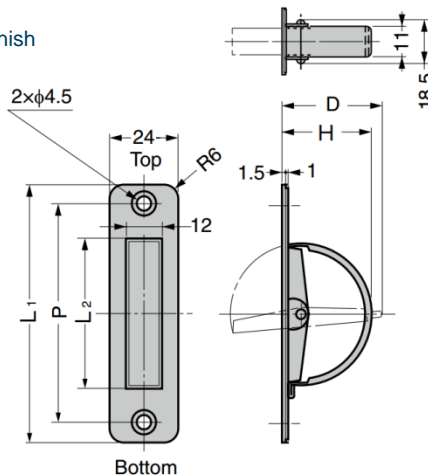
- Stainless steel 304, satin finish

Notes

- For vertical applications

Parts Included

- Countersunk head wood screw 3.5×22 (SUS)



Part No.	L ₁	L ₂	P	H	D	Load Capacity	
GHR-90RS	90	52	76	32	36	127 N	13 kg
GHR-110RS	110	64	94	38	42	98 N	10 kg